



S242

Double Cartridge Seal

Materials

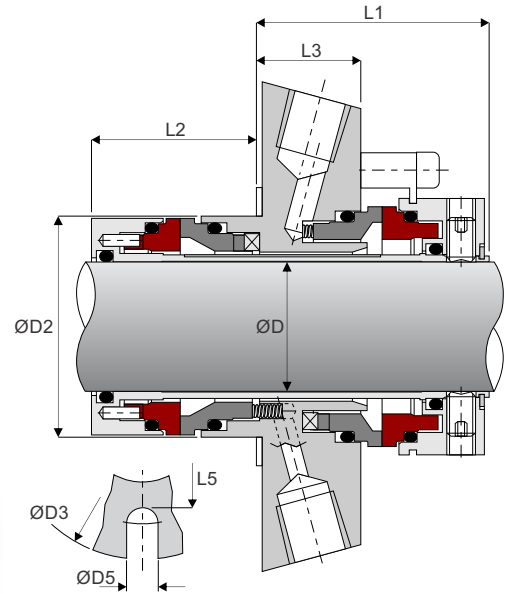
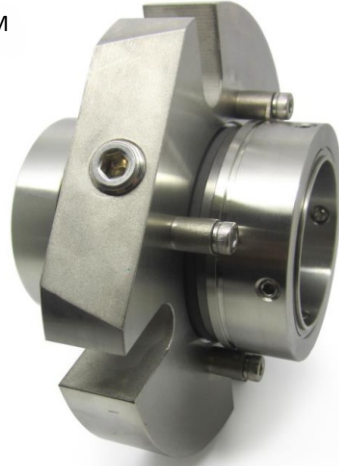
- Stationary - Car / SiC / SSiC / TC
- Rotary - SiC / SSiC / TC
- Elastomer - NBR / EPDM / Viton / Aflas / FFKM

Working Conditions

- Pressure ≤ 28 bar
- Speed ≤ 23 m/s
- Temperature up to 205°C

Features

- Stationary Design
- Monolithic Faces
- Cushioned faces
- Double Pressure Balanced
- Springs outside of the media
- Tandem Active
- Full pressure reversal capability
- Manual venting for installation
- Bi-Directional Pumping Device
- Barrier fluid guide shroud



Shaft Ø		ØD2	ØD3	ØD5	L1	L2	L3	L5
Inches	Metric							
1.000	24	44,7	104	12.5	50	35	24	62
	25							
1.125	28	47,7	104	12.5	50	35	24	62
	30	49,7	104	12.5	50	35	24	65
1.250	32	50,9	104	12.5	50	35	24	67
	33							
1.375	35	54,7	110	12.5	50	35	24	70
1.500	38	57,7	125	14.7	50	35	24	75
	40	59,7	125	14.7	50	35	24	75
1.625	43	61.7	133	14.7	50	35	24	80
	43	62,7	133	14.7	50	35	24	80
1.750	45	64,7	140	14.7	50	35	24	81
1.875	48	67,7	140	14.7	50	35	24	84
	50	69,7	140	14.7	50	35	24	87
2.125	53	72,7	150	17.5	50	35	24	90
	55	74,7	150	17.5	50	35	24	92
2.250	55	76.7	160	17.5	50	35	24	95
2.375	60	79,7	160	17.5	50	35	24	100
2.500	65	82.7	170	17.5	50	35	24	103
	65	84,7	165	17.5	50	35	24	105
2.625	65	86.7	180	17.5	50	35	24	110
2.750	70	89,7	180	17.5	50	35	24	120
2.875	70	100.8	190	17.5	50	35	24	123
3.000	75	102,8	190	17.5	54.5	38.5	25.5	125
3.125	80	107,8	190	17.5	54.5	38.5	25.5	130
	80	107,8	190	17.5	54.5	38.5	25.5	130
3.250	80	110.8	220	21.5	54.5	38.5	25.5	133
3.375	85	112,8	220	21.5	54.5	38.5	25.5	135
3.500	90	117,8	220	21.5	54.5	38.5	25.5	140
3.625	90	119.8	220	21.5	54.5	38.5	25.5	142
3.750	95	122,8	220	21.5	54.5	38.5	25.5	145
3.875	100	127,8	220	21.5	54.5	38.5	25.5	150
4.000								