



# S241

## Double Cartridge Seal

### Materials

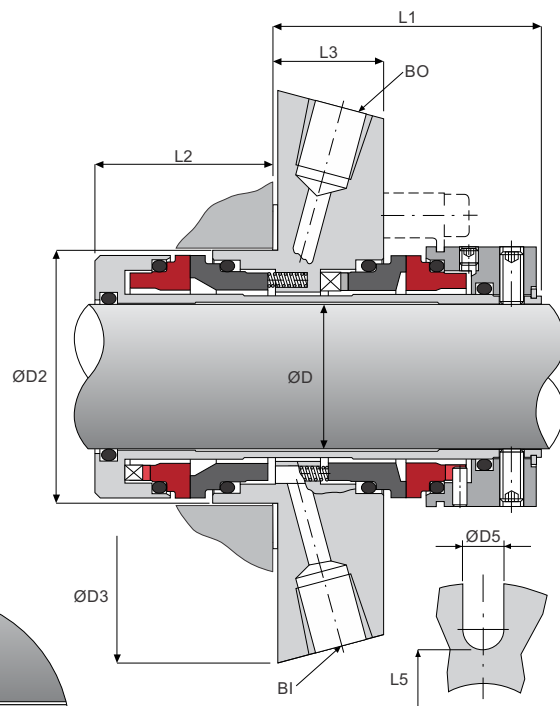
- Stationary - Car / SiC / SSiC / TC
- Rotary - SiC / SSiC / TC
- Elastomer - NBR / EPDM / Viton / Aflas / FFKM

### Working Conditions

- Pressure ≤ 28 bar
- Speed ≤ 23 m/s
- Temperature up to 205°C

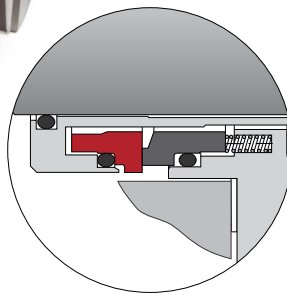
### Features

- Stationary Design
- Monolithic Faces
- Cushioned faces
- Double Pressure Balanced
- Springs outside of the media
- Tandem Active
- Full pressure reversal capability
- Manual venting for installation



### S2415 - Seal Alternatives

Seal keeps operating with loss of barrier fluid pressure in low SG applications



Shaft Ø		ØD2	ØD3	ØD5	L1	L2	L3	L5
Inches	Metric							
1.000	24	44,7	104	12.5	54	35	24	62
	25							
1.125	28	47,7	104	12.5	54	35	24	62
	30	49,7	104	12.5	54	35	24	65
1.250	32	50,9	104	12.5	54	35	24	67
	33							
1.375	35	54,7	110	12.5	54	35	24	70
	1.500	38	57,7	125	14.7	54	35	24
40		59,7	125	14.7	54	35	24	75
1.625		61.7	133	14.7	54	35	24	80
	43	62,7	133	14.7	54	35	24	80
1.750	45	64,7	140	14.7	54	35	24	81
1.875	48	67,7	140	14.7	54	35	24	84
	2.000	50	69,7	140	14.7	54	35	24
53		72,7	150	17.5	54	35	24	90
2.125	55	74,7	150	17.5	54	35	24	92
	2.250		76.7	160	17.5	54	35	24
60		79,7	160	17.5	54	35	24	100
2.500		82.7	170	17.5	54	35	24	103
	65	84,7	165	17.5	54	35	24	105
2.625		86.7	180	17.5	54	35	24	110
	70	89,7	180	17.5	54	35	24	120
2.875		100.8	190	17.5	54	35	24	123
3.000	75	102,8	190	17.5	58	39	25	125
	3.125		107,8	190	17.5	58	39	25
80		107,8	190	17.5	58	39	25	130
3.250		110.8	220	21.5	58	39	25	133
3.375	85	112,8	220	21.5	58	39	25	135
3.500	90	117,8	220	21.5	58	39	25	140
3.625		119.8	220	21.5	58	39	25	142
	3.750	95	122,8	220	21.5	58	39	25
3.875		100	127,8	220	21.5	58	39	25
4.000								