

S271 / S271+ / S2715



Materials

Stationary - Car / SiC / SSiC / TC

Rotary - SiC / SSiC / TC

Elastomer - NBR / EPDM / Viton / Aflas / FFKM

Working Conditions

Pressure < 28 bar

Speed < 35 m/s

Temperature up to 205°C

Features

Stationary Design

Monolithic Faces

Cushioned Faces

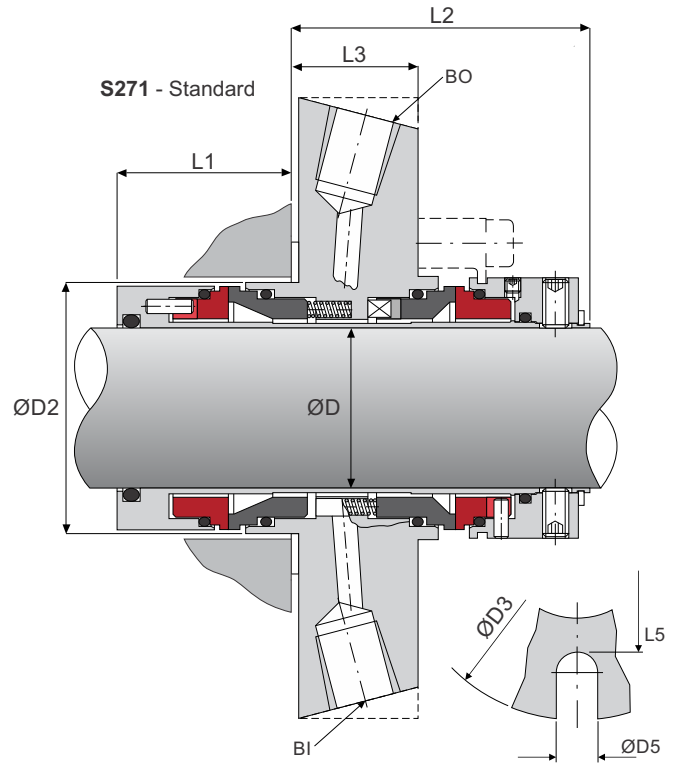
Springs outside the media

Double Pressure Balanced

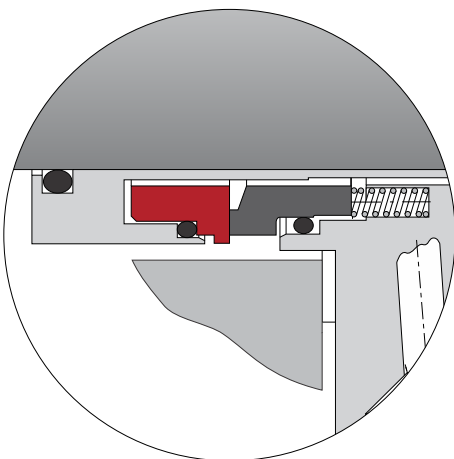
Tandem Active

Full pressure reversal possible

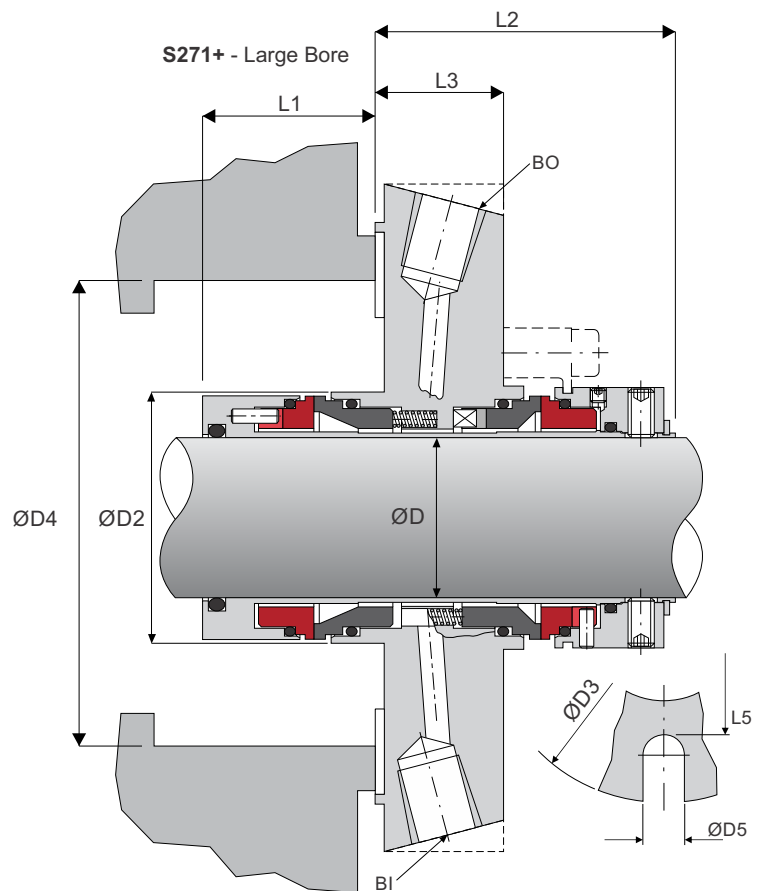
Manual venting possible



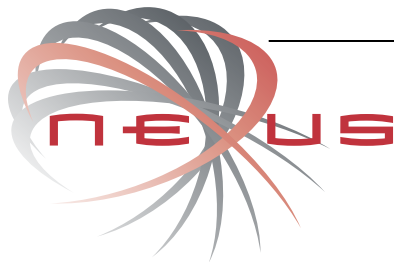
S2715 - Seal Alternative



Seal keeps operating with loss of barrier fluid pressure in low SG applications



S271 / S271+



S271

Inch ØD	Code	ØD2		ØD3		ØD5		L1		L2		L3		L5	
		mm	inch	mm	inch	mm	inch	mm	inch	mm	inch	mm	inch	mm	inch
1.000	0254	41.27	(1.625)	104.00	(4.094)	12.5	(0.492)	51.8	(2.039)	30.2	(1.189)	22	(0.866)	62	(1.000)
1.125	0286	44.45	(1.750)	104.00	(4.094)	12.5	(0.492)	51.8	(2.039)	30.2	(1.189)	22	(0.866)	62	(2.441)
1.250	0317	47.62	(1.875)	104.00	(4.094)	12.5	(0.492)	51.8	(2.039)	30.2	(1.189)	22	(0.866)	65	(2.559)
1.375	0349	50.80	(2.000)	104.00	(4.094)	12.5	(0.492)	51.8	(2.039)	30.2	(1.189)	22	(0.866)	67	(2.638)
1.500	0381	57.10	(2.248)	110.00	(4.331)	12.5	(0.492)	54.0	(2.126)	35.0	(1.378)	24	(0.945)	70	(2.756)
1.625	0412	60.30	(2.374)	125.00	(4.921)	14.7	(0.579)	54.0	(2.126)	35.0	(1.378)	24	(0.945)	75	(2.953)
1.750	0444	63.50	(2.500)	133.00	(5.236)	14.7	(0.579)	54.0	(2.126)	35.0	(1.378)	24	(0.945)	80	(3.150)
1.875	0476	66.60	(2.622)	140.00	(5.512)	14.7	(0.579)	54.0	(2.126)	35.0	(1.378)	24	(0.945)	81	(3.189)
2.000	0508	69.70	(2.744)	140.00	(5.512)	14.7	(0.579)	54.0	(2.126)	35.0	(1.378)	24	(0.945)	87	(3.425)
2.125	0539	72.70	(2.862)	150.00	(5.906)	17.5	(0.689)	54.0	(2.126)	35.0	(1.378)	24	(0.945)	90	(3.543)
2.250	0571	76.70	(3.020)	160.00	(6.299)	17.5	(0.689)	54.0	(2.126)	35.0	(1.378)	24	(0.945)	95	(3.740)
2.375	0603	79.70	(3.138)	160.00	(6.299)	17.5	(0.689)	54.0	(2.126)	35.0	(1.378)	24	(0.945)	100	(3.937)
2.500	0635	82.70	(3.256)	170.00	(6.693)	17.5	(0.689)	54.0	(2.126)	35.0	(1.378)	24	(0.945)	103	(4.055)
2.625	0666	86.70	(3.413)	180.00	(7.087)	17.5	(0.689)	54.0	(2.126)	35.0	(1.378)	24	(0.945)	110	(4.331)
2.750	0698	89.70	(3.531)	180.00	(7.087)	17.5	(0.689)	54.0	(2.126)	35.0	(1.378)	24	(0.945)	120	(4.724)
2.875	0730	100.80	(3.969)	190.00	(7.480)	17.5	(0.689)	54.0	(2.126)	35.0	(1.378)	24	(0.945)	123	(4.843)
3.000	0762	102.80	(4.047)	190.00	(7.480)	17.5	(0.689)	58.0	(2.283)	39.0	(1.535)	25	(0.984)	125	(4.921)
3.125	0793	107.80	(4.244)	190.00	(7.480)	17.5	(0.689)	58.0	(2.283)	39.0	(1.535)	25	(0.984)	130	(5.118)
3.250	0825	110.80	(4.362)	220.00	(8.661)	21.5	(0.846)	58.0	(2.283)	39.0	(1.535)	25	(0.984)	133	(5.236)
3.375	0857	112.80	(4.441)	220.00	(8.661)	21.5	(0.846)	58.0	(2.283)	39.0	(1.535)	25	(0.984)	135	(5.315)
3.500	0889	117.80	(4.638)	220.00	(8.661)	21.5	(0.846)	58.0	(2.283)	39.0	(1.535)	25	(0.984)	140	(5.512)
3.625	0921	119.80	(4.717)	220.00	(8.661)	21.5	(0.846)	58.0	(2.283)	39.0	(1.535)	25	(0.984)	142	(5.591)
3.750	0952	122.80	(4.835)	220.00	(8.661)	21.5	(0.846)	58.0	(2.283)	39.0	(1.535)	25	(0.984)	145	(5.709)
3.875	0984	127.80	(4.835)	220.00	(8.661)	21.5	(0.846)	58.0	(2.283)	39.0	(1.535)	25	(0.984)	150	(5.906)
4.000	1016														

S271+

Inch ØD	Code	ØD2		ØD3		ØD4 Min		ØD4 Max		ØD5		L1		L2		L3		L5	
		mm	inch	mm	inch	mm	inch	mm	inch	mm	inch	mm	inch	mm	inch	mm	inch	mm	inch
1.125	0286	44.45	(1.750)	126	(4.961)	66.68	(2.625)	72.39	(2.850)	12.5	(0.492)	51.8	(2.039)	30.2	(1.189)	22	(0.866)	80	(3.150)
1.375	0349	50.80	(2.000)	135	(5.315)	73.03	(2.875)	78.74	(3.100)	12.5	(0.492)	51.8	(2.039)	30.2	(1.189)	22	(0.866)	86	(3.386)
1.750	0444	63.50	(2.500)	165	(6.496)	88.90	(3.500)	104.14	(4.100)	14.7	(0.579)	54.0	(2.126)	35.0	(1.378)	24	(0.945)	112	(4.409)
1.875	0476	66.60	(2.622)	165	(6.496)	92.08	(3.625)	104.14	(4.100)	14.7	(0.579)	54.0	(2.126)	35.0	(1.378)	24	(0.945)	112	(4.409)
2.125	0539	72.70	(2.862)	182	(7.165)	98.43	(3.875)	107.32	(4.225)	17.5	(0.689)	54.0	(2.126)	35.0	(1.378)	24	(0.945)	118	(4.646)
2.500	0635	82.70	(3.256)	203	(7.992)	114.30	(4.500)	129.54	(5.100)	17.5	(0.689)	54.0	(2.126)	35.0	(1.378)	24	(0.945)	137	(5.394)
2.625	0666	86.70	(3.413)	203	(7.992)	117.48	(4.625)	129.54	(5.100)	17.5	(0.689)	54.0	(2.126)	35.0	(1.378)	24	(0.945)	137	(5.394)
2.750	0698	89.70	(3.531)	203	(7.992)	117.48	(4.625)	129.54	(5.100)	17.5	(0.689)	54.0	(2.126)	35.0	(1.378)	24	(0.945)	137	(5.394)